

## UML2N Isolated Transistor and Diode

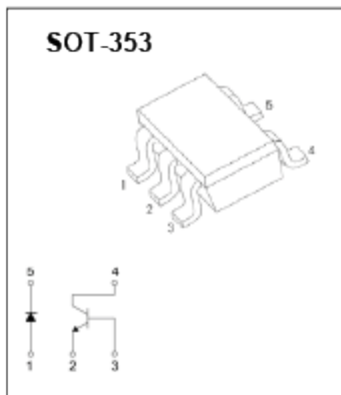
### Features

- The 2SC2412K and a diodes are housed independently In a package

### MARKING: L2

### TR MAXIMUM RATINGS ( $T_a=25^{\circ}\text{C}$ unless otherwise noted)

Symbol	Parameter	Value	Units
$V_{CBO}$	Collector-Base Voltage	80	V
$V_{CEO}$	Collector-Emitter Voltage	50	V
$V_{EBO}$	Emitter-Base Voltage	8	V
$I_C$	Collector Current -Continuous	150	mA
$P_C$	Collector Power Dissipation	150	mW
$T_J$	Junction Temperature	150	$^{\circ}\text{C}$
$T_{stg}$	Storage Temperature	-55 to 150	$^{\circ}\text{C}$



### DIO Maximum Ratings and Electrical Characteristics, Single Diode @ $T_a=25^{\circ}\text{C}$

Parameter	Symbol	Limits	Unit
DC reverse voltage	$V_R$	80	V
Peak Reverse Voltage	$V_{RM}$	80	V
Forward Continuous Current	$I_{FM}$	300	mA
Average Rectified Output Current	$I_O$	100	mA
Surge current	$I_{SURGE}$	4	A
Junction temperature	$T_J$	150	$^{\circ}\text{C}$
Storage temperature	$T_{STG}$	-55~+150	$^{\circ}\text{C}$

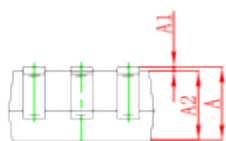
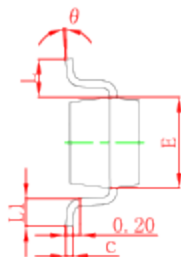
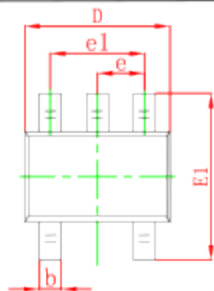
**TR ELECTRICAL CHARACTERISTICS (Ta=25°C unless otherwise specified)**

Parameter	Symbol	Test conditions	Min	Typ	Max	Unit
Collector-base breakdown voltage	$V_{(BR)CBO}$	$I_C=50\mu A, I_E=0$	80			V
Collector-emitter breakdown voltage	$V_{(BR)CEO}$	$I_C=1mA, I_E=0$	50			V
Emitter-base breakdown voltage	$V_{(BR)EBO}$	$I_E=50\mu A, I_C=0$	8			V
Collector cut-off current	$I_{CBO}$	$V_{CB}=80V, I_E=0$			0.1	$\mu A$
Emitter cut-off current	$I_{EBO}$	$V_{EB}=5V, I_C=0$			0.1	$\mu A$
DC current gain	$h_{FE}$	$V_{CE}=8V, I_C=1mA$	120		580	
Collector-emitter saturation voltage	$V_{CE(sat)}$	$I_C=50mA, I_E=5mA$			0.4	V
Transition frequency	$f_T$	$V_{CE}=12V, I_C=2mA, f=100MHz$		180		MHz
Collector output capacitance	$C_{ob}$	$V_{CB}=12V, I_E=0, f=1MHz$			3.5	pF

**DIO Electrical Ratings @Ta=25°C**

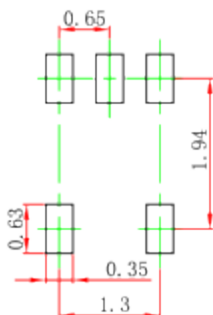
Parameter	Symbol	Min.	Typ.	Max.	Unit	Conditions
Forward voltage	$V_F$			1.2	V	$I_F=100mA$
Reverse current	$I_R$			0.1	$\mu A$	$V_R=70V$
Capacitance between terminals	$C_T$			3.5	pF	$V_R=8V, f=1MHz$
Reverse Recovery Time	$t_{rr}$			4	ns	$V_R=8V,$ $I_F=5mA, R_L=50\Omega$

## SOT-353 Package Outline Dimensions



Symbol	Dimensions in Millimeters		Dimensions in Inches	
	Min	Max	Min	Max
A	0.900	1.100	0.035	0.043
A1	0.000	0.100	0.000	0.004
A2	0.350	1.000	0.015	0.039
b	0.150	0.350	0.006	0.014
c	0.080	0.150	0.003	0.006
D	2.000	2.200	0.079	0.087
E	1.150	1.350	0.045	0.053
E1	2.150	2.450	0.085	0.098
e	0.650 TYP		0.026 TYP	
e1	1.200	1.400	0.047	0.055
l	0.525 REF		0.021 REF	
L1	0.260	0.460	0.010	0.018
theta	0°	9°	0°	9°

## SOT-353 Suggested Pad Layout



### Note:

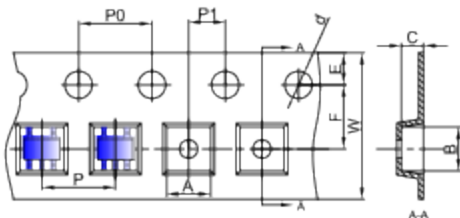
1. Controlling dimension: in millimeters.
2. General tolerance:  $\pm 0.05$  mm.
3. The pad layout is for reference purposes only.

## NOTICE

JCET reserve the right to make modifications, enhancements, improvements, corrections or other changes without further notice to any product herein. JCET does not assume any liability arising out of the application or use of any product described herein.

# SOT-353 Tape and reel

## SOT-353 Embossed Carrier Tape



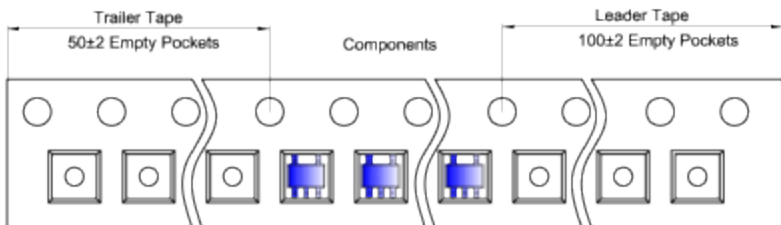
### Packaging Description:

SOT-353 parts are shipped in tape. The carrier tape is made from a dissipative (carbon filled) polycarbonate resin. The cover tape is a multilayer film (Heat Activated Adhesive in nature) primarily composed of polyester film, adhesive layer, sealant, and anti-static sprayed agent. These reeled parts in standard option are shipped with 3,000 units per 7" or 17.8cm diameter reel. The reels are clear in color and is made of polystyrene plastic (anti-static coated).

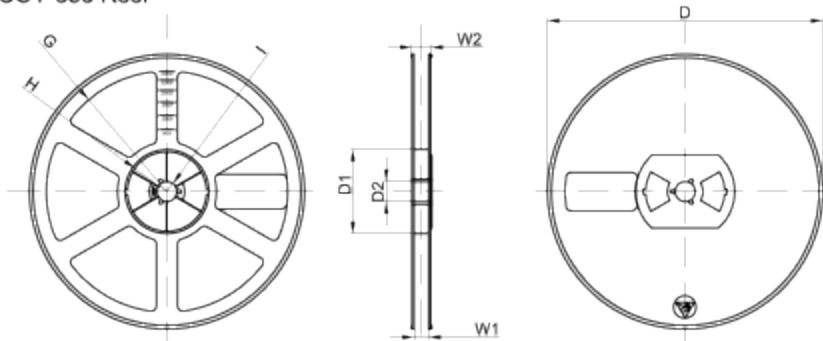
Dimensions are in millimeter

Plg type	A	B	C	d	E	F	P0	P	P1	W
SOT-353	2.25	2.55	1.20	Ø1.50	1.75	3.50	4.00	4.00	2.00	8.00
(Tolerance)	+/-0.05	+/-0.05	+/-0.05	+/-0.1	+/-0.1	+/-0.1	+/-0.1	+/-0.1	+/-0.1	+0.3/-0.1

## SOT-353 Tape Leader and Trailer



## SOT-353 Reel



Dimensions are in millimeter

Reel Option	D	D1	D2	G	H	I	W1	W2
7" Dia	Ø178.00	54.40	13.00	R78.00	R25.80	R6.50	9.50	12.30
Tolerance	+/-2	+/-1	+/-1	+/-1	+/-1	+/-1	+/-1	+/-1

REEL	Reel Size	Box	Box Size(mm)	Carton	Carton Size(mm)	G.W.(kg)
3000 pcs	7 inch	45,000 pcs	203×203×195	180,000 pcs	438×438×220	