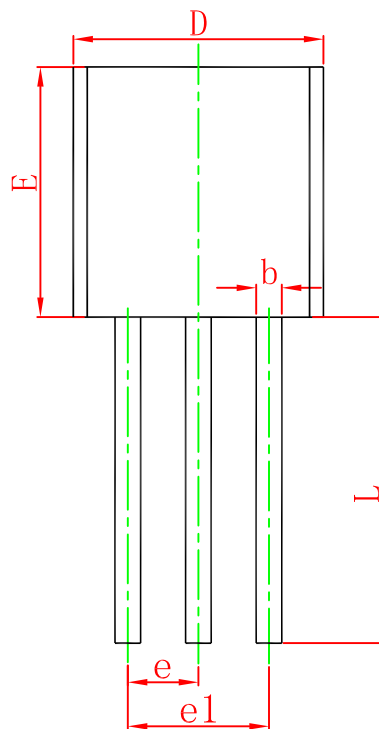
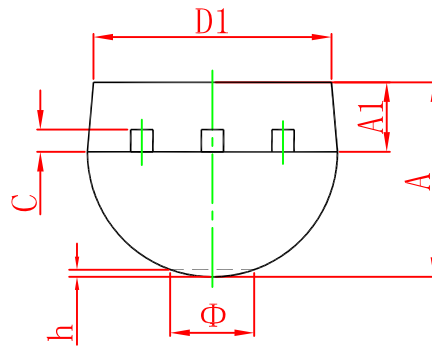
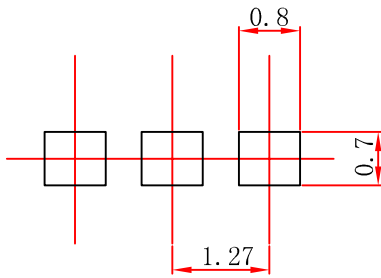


TO-92 PACKAGE OUTLINE DIMENSIONS



| Symbol | Dimensions In Millimeters | | Dimensions In Inches | |
|--------|---------------------------|--------|----------------------|-------|
| | Min. | Max. | Min. | Max. |
| A | 3.300 | 3.700 | 0.130 | 0.146 |
| A1 | 1.100 | 1.400 | 0.043 | 0.055 |
| b | 0.380 | 0.550 | 0.015 | 0.022 |
| c | 0.360 | 0.510 | 0.014 | 0.020 |
| D | 4.300 | 4.700 | 0.169 | 0.185 |
| D1 | 3.430 | | 0.135 | |
| E | 4.300 | 4.700 | 0.169 | 0.185 |
| e | 1.270 TYP. | | 0.050 TYP. | |
| e1 | 2.440 | 2.640 | 0.096 | 0.104 |
| L | 14.100 | 14.500 | 0.555 | 0.571 |
| Φ | | 1.600 | | 0.063 |
| h | 0.000 | 0.380 | 0.000 | 0.015 |



- 技术要求
1. 塑封体尺寸4.50×4.50;
 2. 未注公差为: ±0.05;
 3. 所有单位为: mm。

中心距: 1.27
 脚宽: 0.46
 焊盘宽: 0.80
 脚厚: 0.38
 焊盘长: 0.70

媒体编号

镀涂

旧底图总号

底图总号

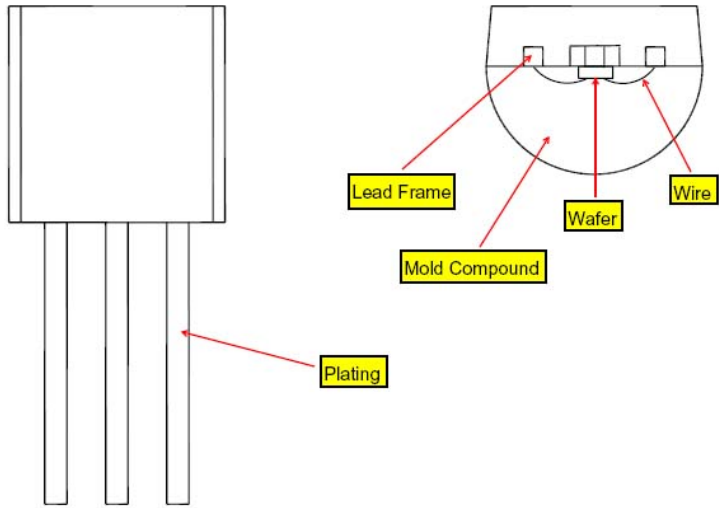
| 更改标记 | 数量 | 更改单号 | 签名 | 日期 |
|------|----|------|----|----|
| 设计 | | | | |
| 审核 | | | | |
| 工艺 | | | | |
| 标准化 | | | | |
| 批准 | | | | |

TO-92 焊 盘

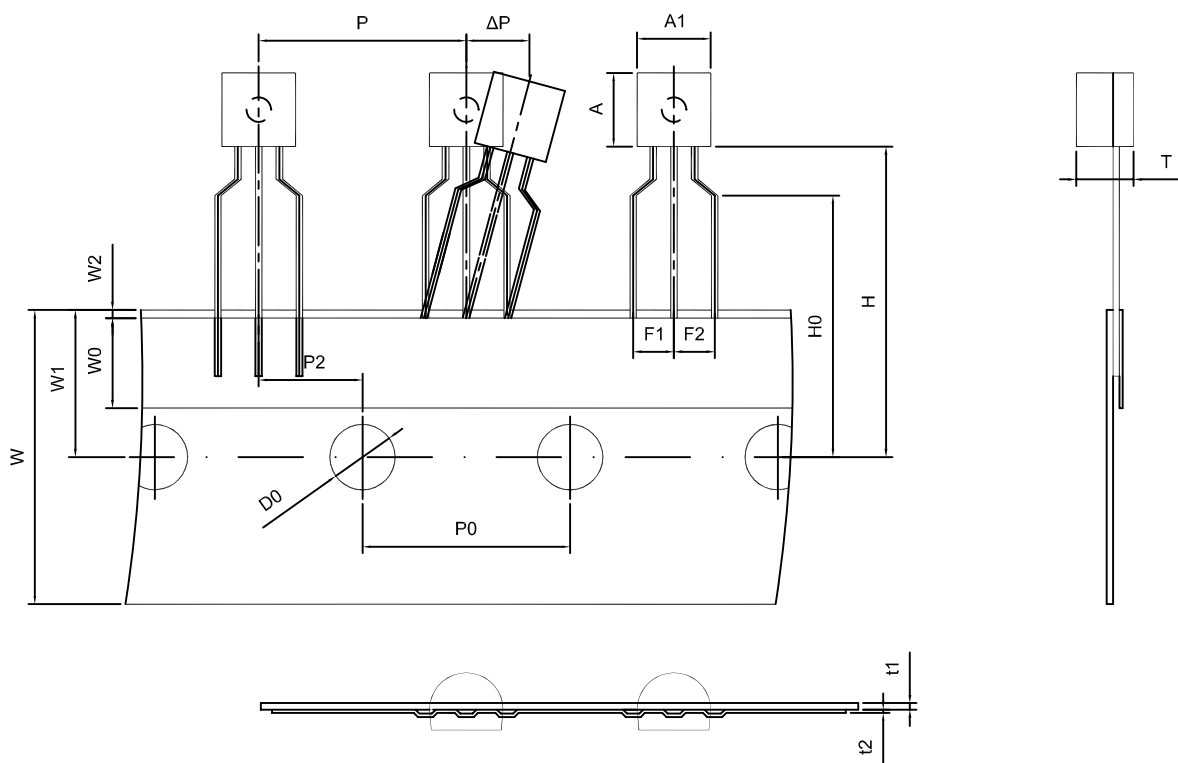
| 等级标记 | 版 号 | 比 例 |
|-------|-----|-------|
| | | 10:1 |
| 第 1 张 | | 共 1 张 |

日期 签名

江苏长电科技股份有限公司

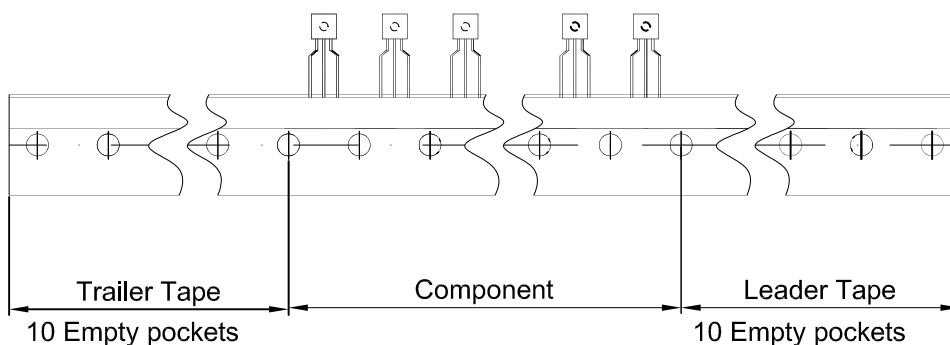


TO-92 PACKAGE TAPEING DIMENSION



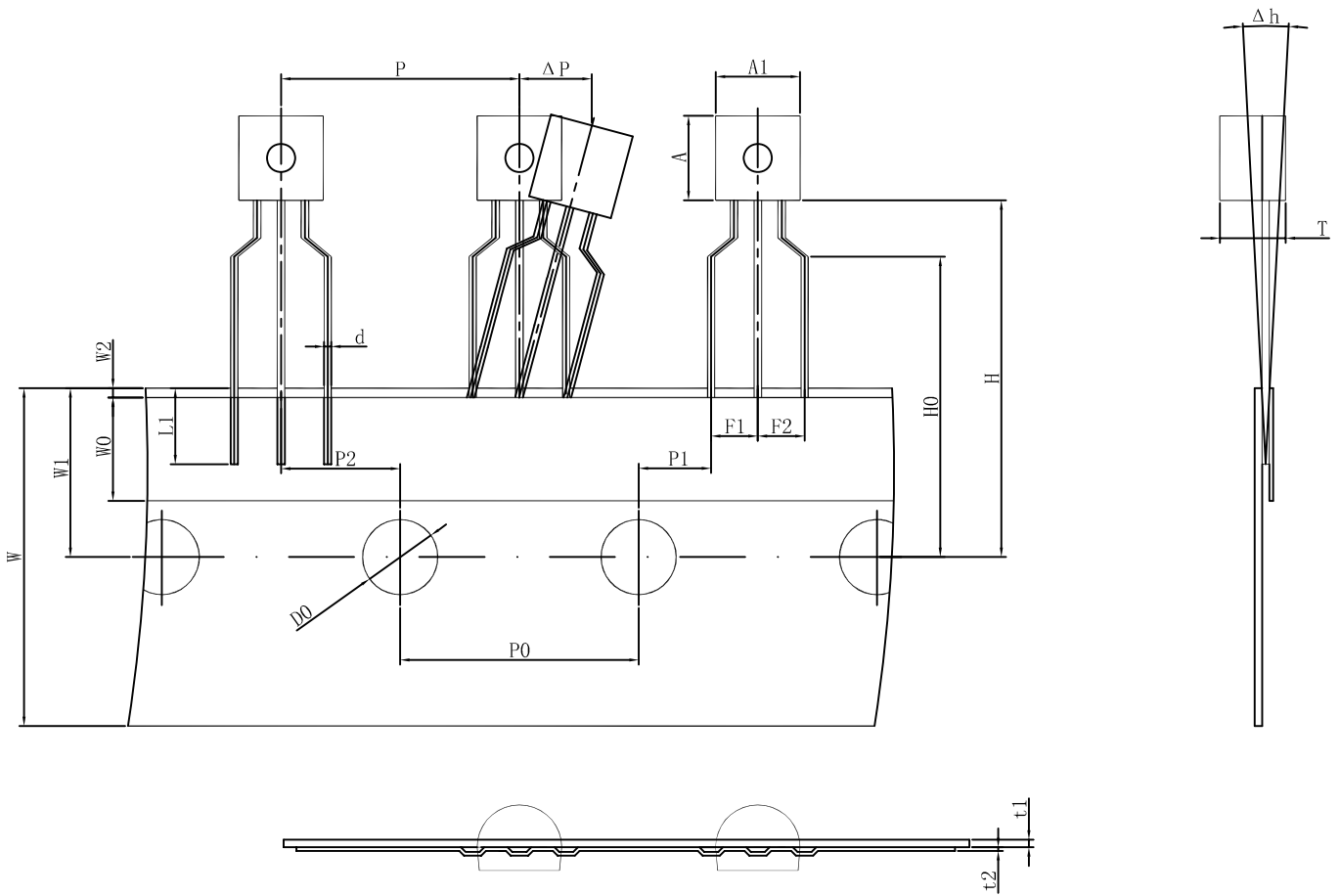
Dimiensions are in millimeter

| A1 | A | T | P | P0 | P2 | F1 | F2 | W |
|---------|---------|----------|----------|----------|----------|----------|----------|---------------|
| 4.5±0.2 | 4.5±0.2 | 3.5±0.2 | 12.7±0.3 | 12.7±0.2 | 6.35±0.3 | 2.5±0.3 | 2.5±0.3 | 18.0+1.0/-0.5 |
| W0 | W1 | W2 | H | H0 | D0 | t1 | t2 | ΔP |
| 6.0±0.5 | 9.0±0.5 | 1.0 MAX. | 19.0±1.0 | 16.0±0.5 | 4.0±0.5 | 0.4±0.05 | 0.2±0.05 | 0 ± 1.0 |



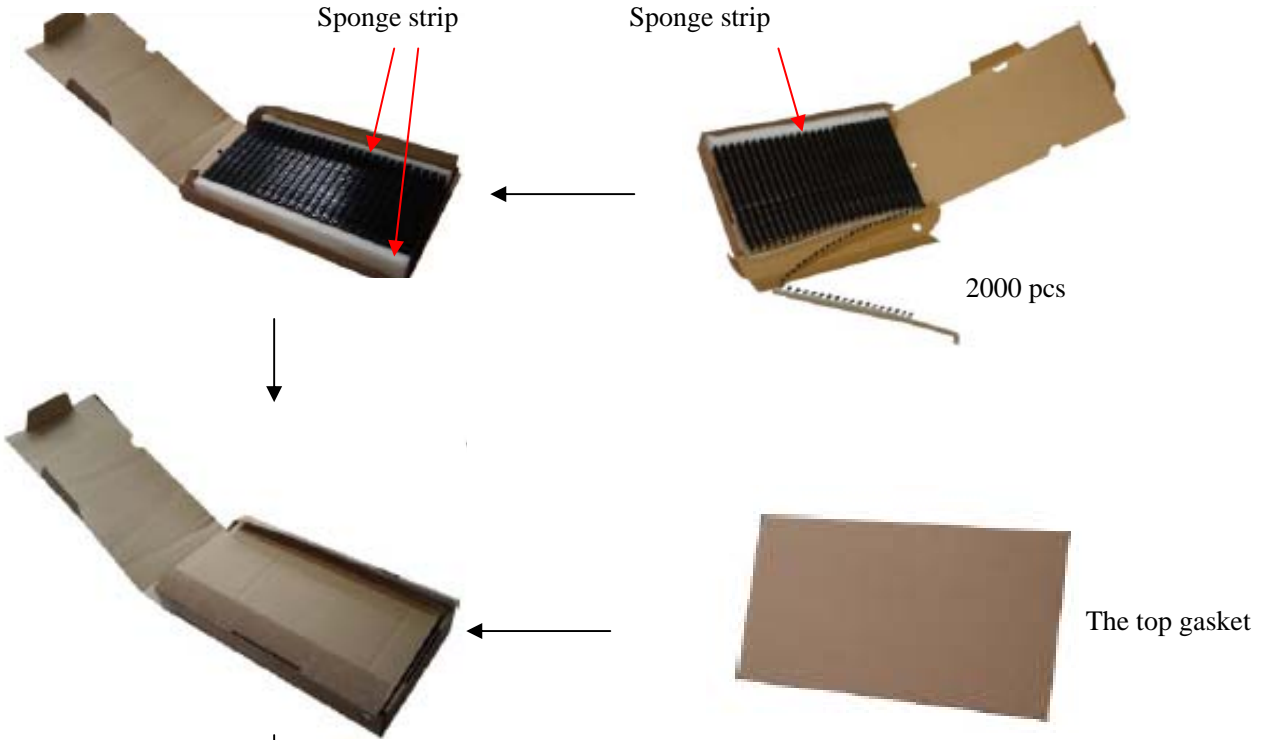
| Package | Box | Box Size(mm) | Carton | Carton Size(mm) |
|---------|----------|--------------|------------|-----------------|
| TO-92 | 2000 pcs | 333×162×43 | 20,000 pcs | 350×340×250 |

TO-92 PACKAGE TAPEING DIMENSION

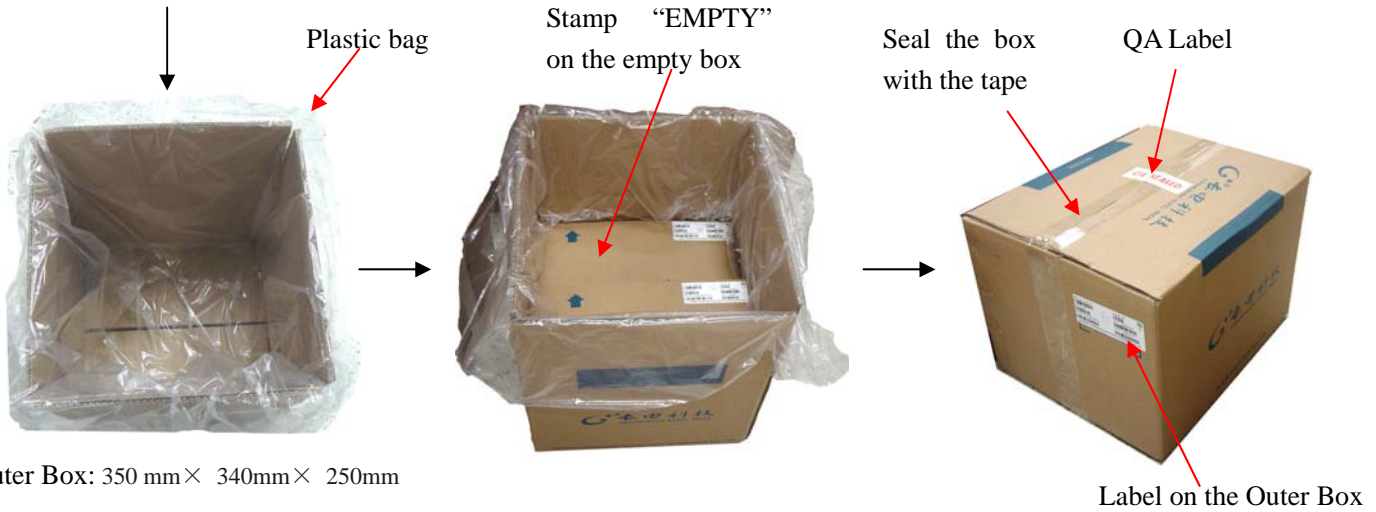


| Item | Symbol | Value & Tolerance |
|--------------------------------------|--------|-------------------|
| Body width | A1 | 4.5 ± 0.2 |
| Body height | A | 4.5 ± 0.2 |
| Body thickness | T | 3.5 ± 0.2 |
| Lead wire diameter | d | 0.46 ± 0.05 |
| Pitch of component | P | 12.7 ± 0.3 |
| Feed hole pitch | P0 | 12.7 ± 0.2 |
| Hole center to component center | P2 | 6.35 ± 0.3 |
| Lead to lead distance | F1,F2 | 2.5 ± 0.3 |
| Component alignment, F-R | Δh | 0 ± 1.0 |
| Type width | W | 18.0 + 1.0, - 0.5 |
| Hole down tape width | W0 | 6.0 ± 0.5 |
| Hole position | W1 | 9.0 ± 0.5 |
| Hole down tape position | W2 | 1.0 MAX. |
| Height of component from tape center | H | 19.0 ± 1.0 |
| Lead wire clinch height | H0 | 16.0 ± 0.5 |
| Lead wire(tape portion) | L1 | 2.5 MIN. |
| Feed hole diameter | D0 | 4.0 ± 0.2 |
| Taped Lead Thickness | t1 | 0.4 ± 0.05 |
| Carrier Tape Thickness | t2 | 0.2 ± 0.05 |
| Position of hole | P1 | 3.85 ± 0.3 |
| Component alignment | ΔP | 0 ± 1.0 |

Unit : mm



Inner Box: 333 mm × 162mm × 43mm



Outer Box: 350 mm × 340mm × 250mm



Inner Box: 240 mm × 165mm × 95mm



Label on the Inner Box

Stamp "EMPTY"
on the empty box



Outer Box: 525 mm × 360mm × 262mm

Seal the box
with the tape

QA Label



Label on the Outer Box